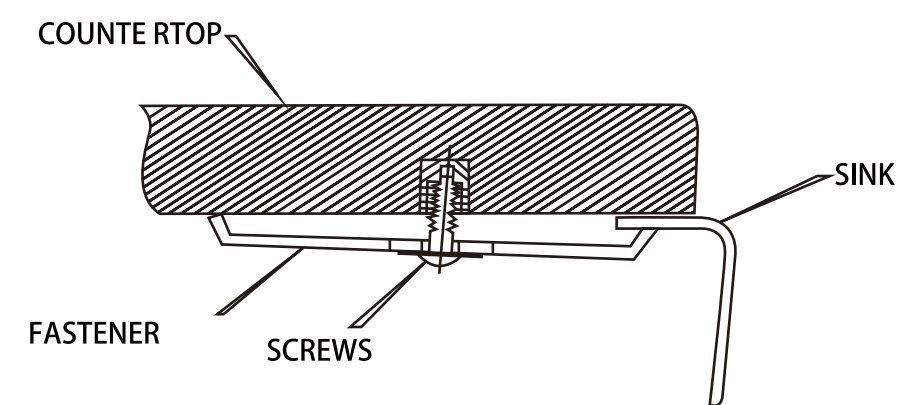
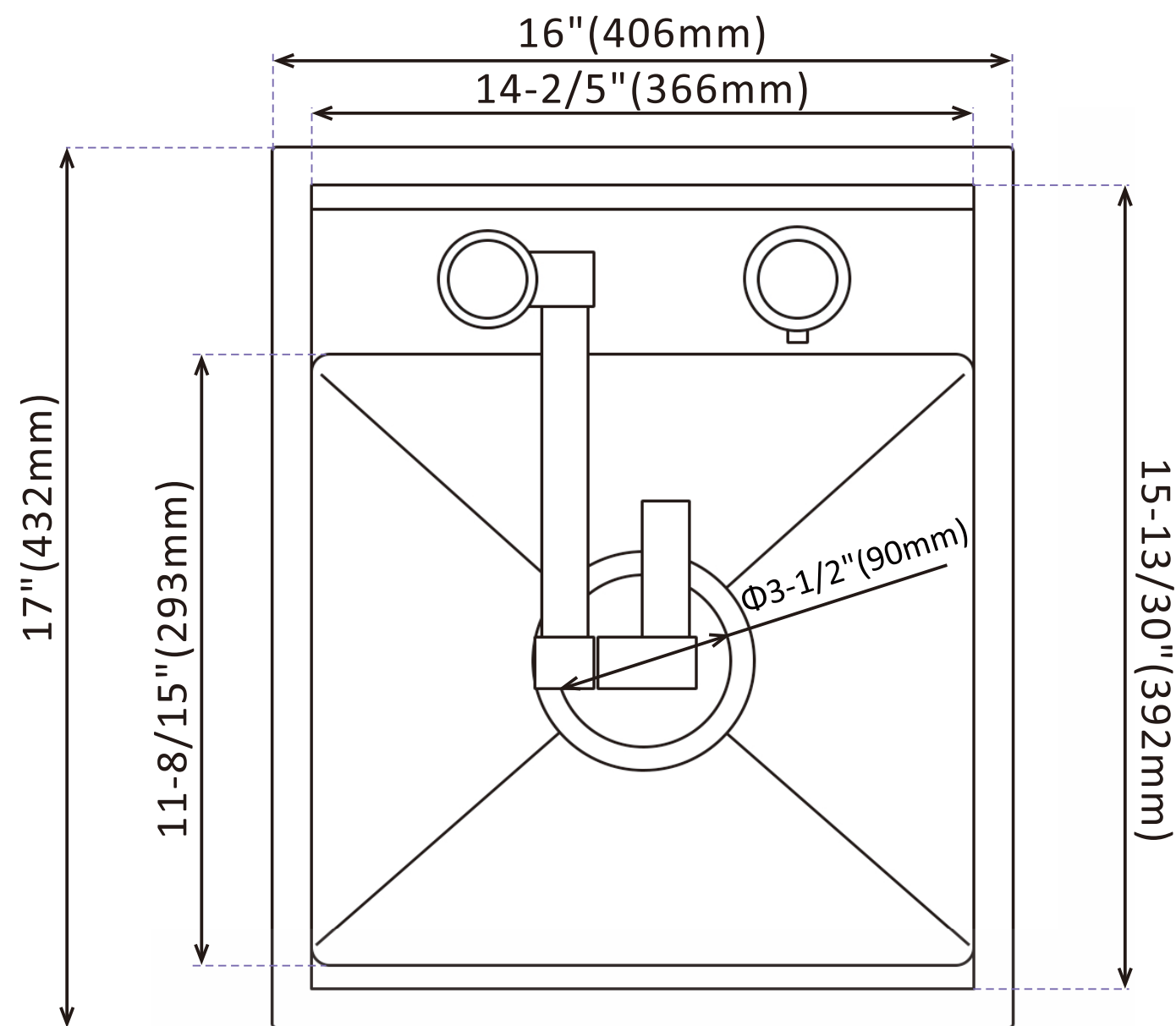


Model NO: RV1617R9NH_NA
RV1617R9NH_EU



Please tear perforated edge for zero / flushed reveal 14-2/5" * 15-13/30" (366mm*392mm)

Please use outer edge for positive reveal 3/8" (Topmount template) 14-19/25" * 15-37/47" (375mm*401mm)

Any questions.
PLS feel free to contact us.
We'll reply you within 24 hours.

NOTE: Cutout template is provided as a guide ONLY and must be checked against actual sink to verify correct fit.

Hole size:375mm*401mm Fillet:R10(1:1) Applicable model:RV1617R9NH-NA