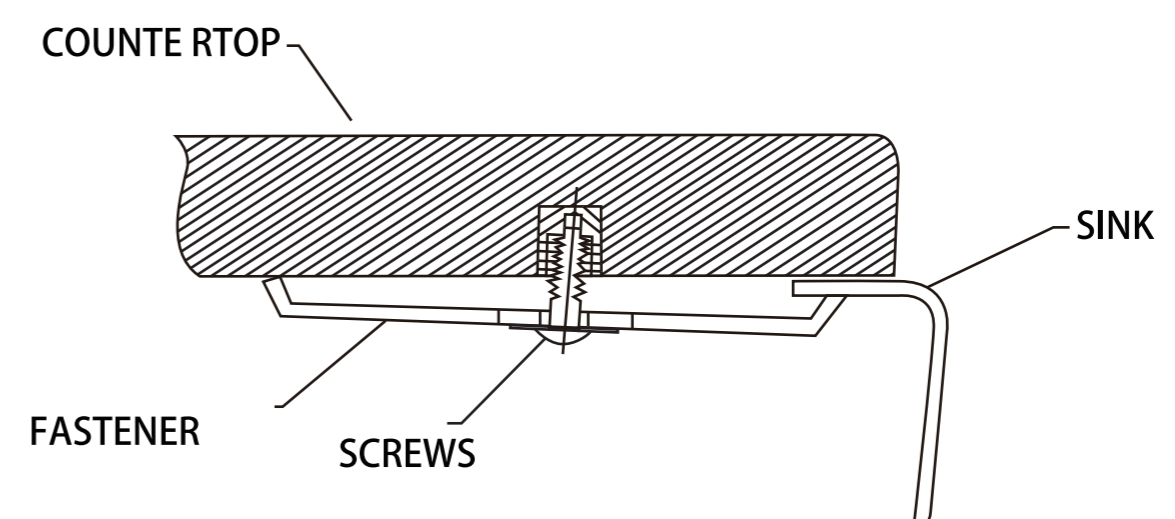
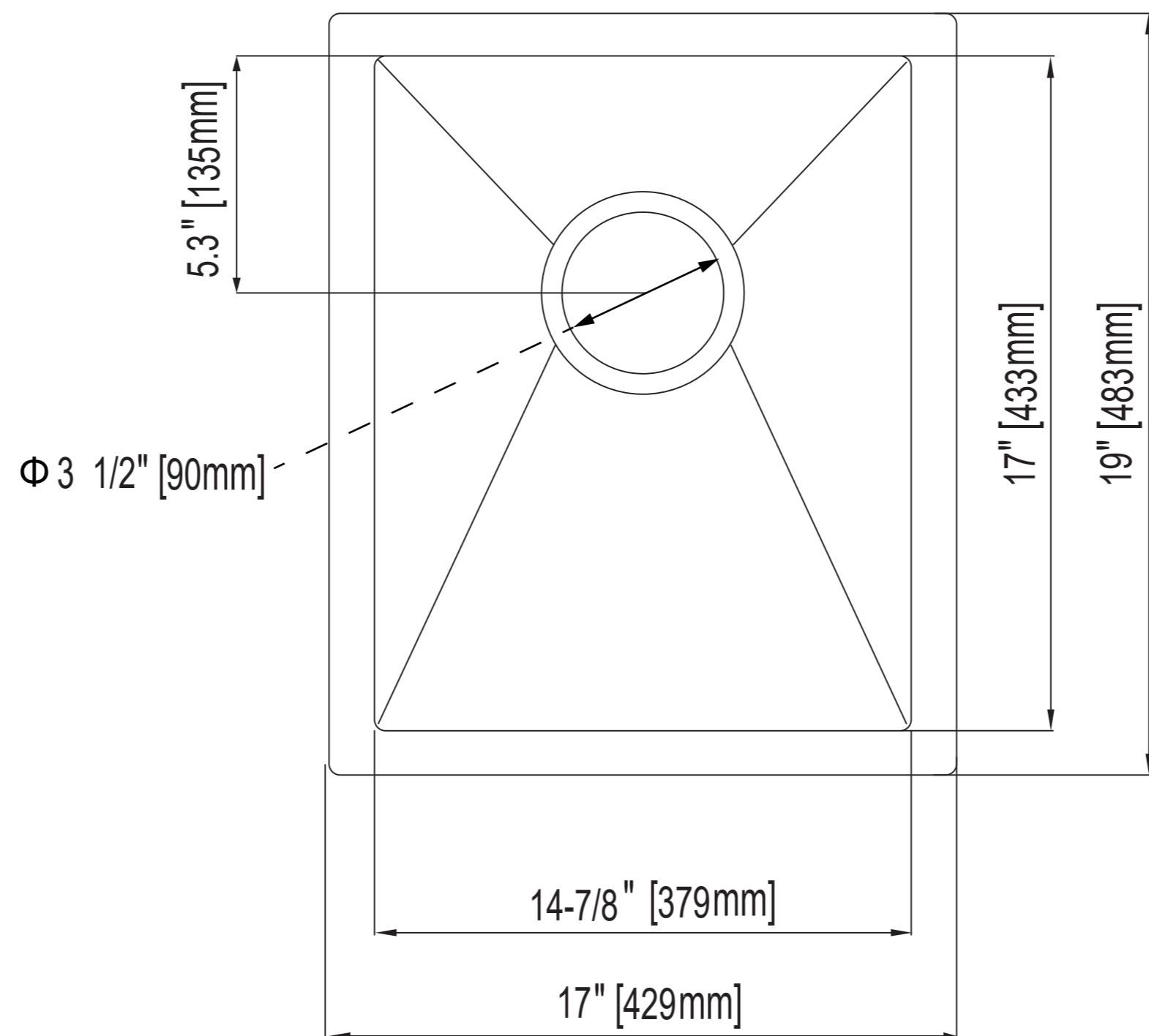


Model NO: US1719R9-055R000



Any questions.
PLS feel free to contact us.
We'll reply you within 24 hours.

Please tear perforated edge for zero / flushed reveal $14\text{-}7/8" * 17" (379\text{mm} * 433\text{mm})$

Please use outer edge for positive reveal 3/8" $388\text{mm} * 442\text{mm}$

NOTE: Cutout template is provided as a guide ONLY and must be checked against actual sink to verify correct fit.

Hole size: 388mm*442mm Fillet: R10 (1:1) Applicable model : US1719R9-055R000