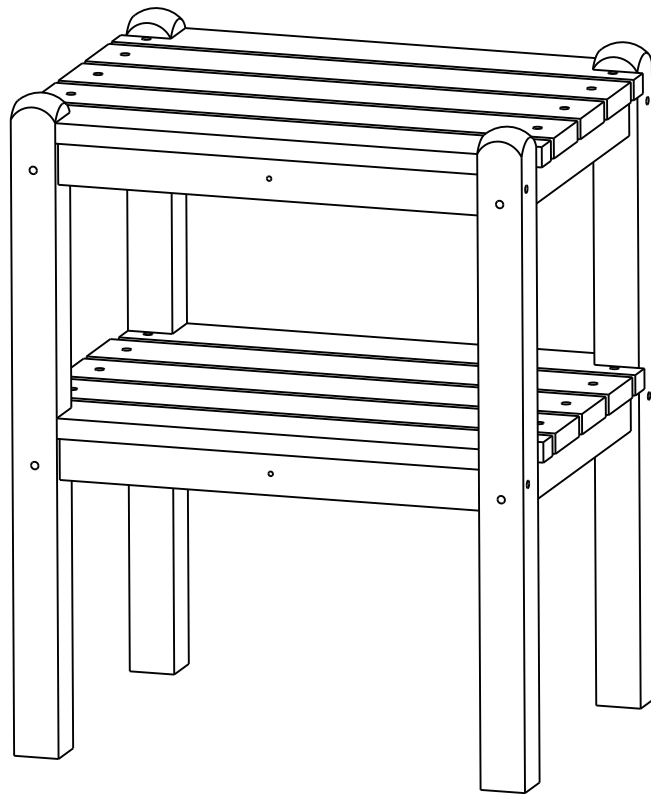


DOUBLE-SIDE TABLE

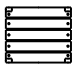





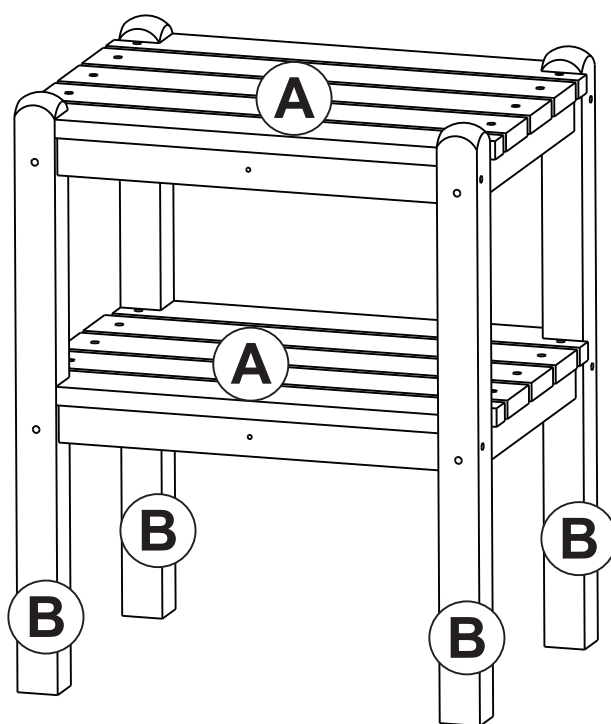
Assembly Consideration

- Do not overtighten screws(Insert All screws before tighten screws)
- Follow Assembly Instructions Step by Step
- Do not discard original packaging if your received items damaged or with missing parts
- Count all Hardware parts before starting assembly
- Assemble items in a clear area and away from clutter to avoid misplacing assembly items

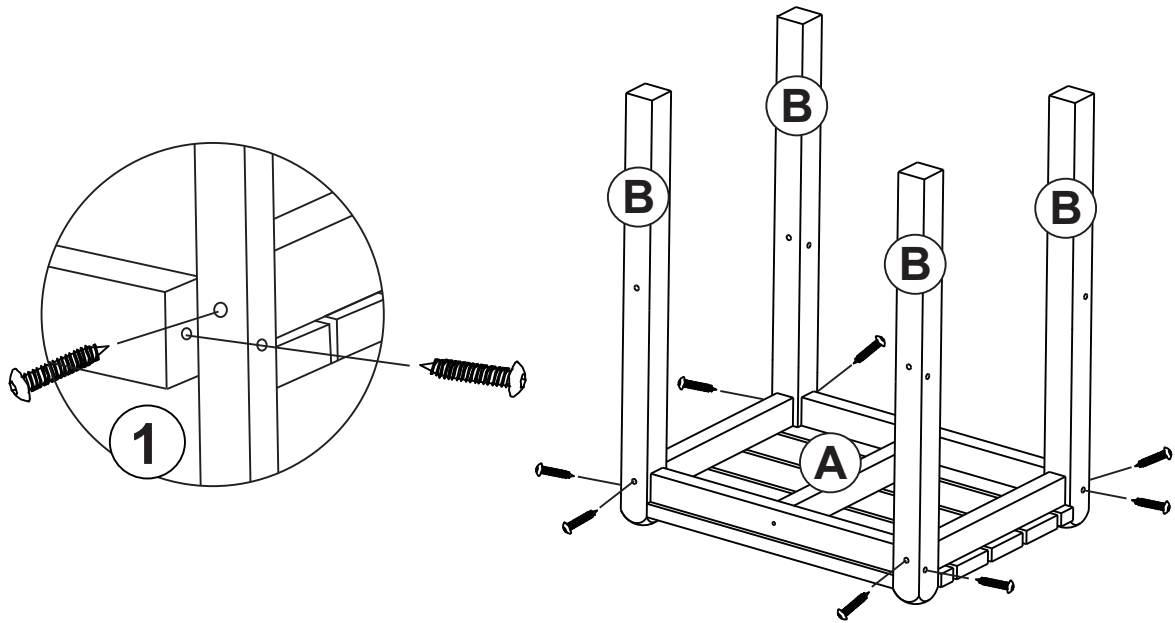
Safety Precautions

- Avoid Using strong powertools to help prevent wood from cracking when assembly

A		2pcs	1	 M6.3X60	16pcs
B		4pcs	2		1pc



STEP: 1



STEP: 2

