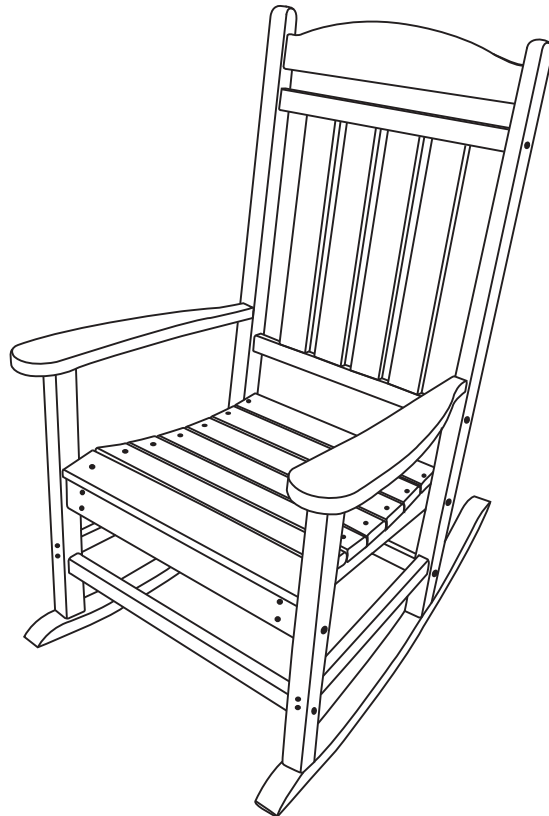


ROCKING CHAIR





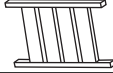
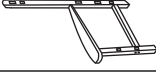
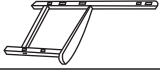





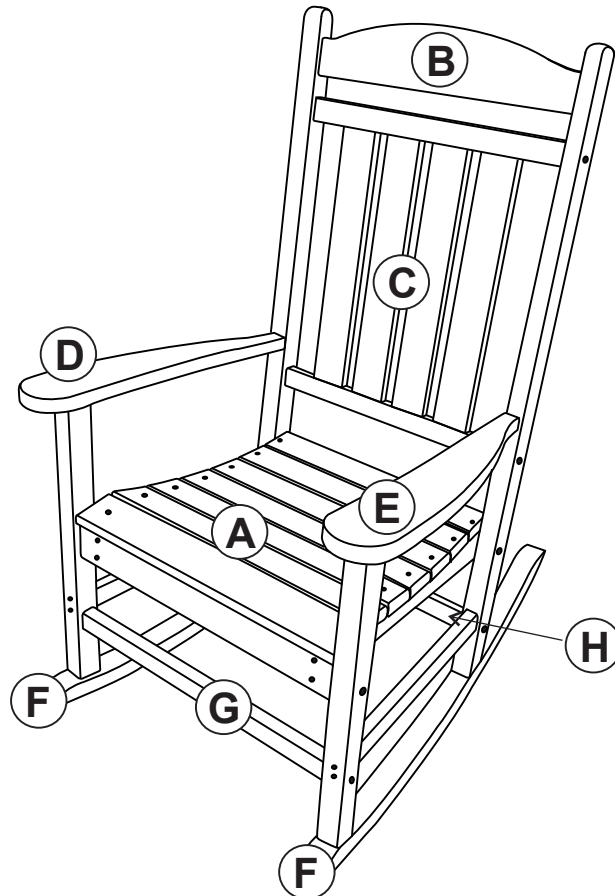
Assembly Consideration

- Do not overtighten screws(Insert All screws before tighten screws)
- Follow Assembly Instructions Step by Step
- Do not discard original packaging if your received items damaged or with missing parts
- Count all Hardware parts before starting assembly
- Assemble items in a clear area and away from clutter to avoid misplacing assembly items

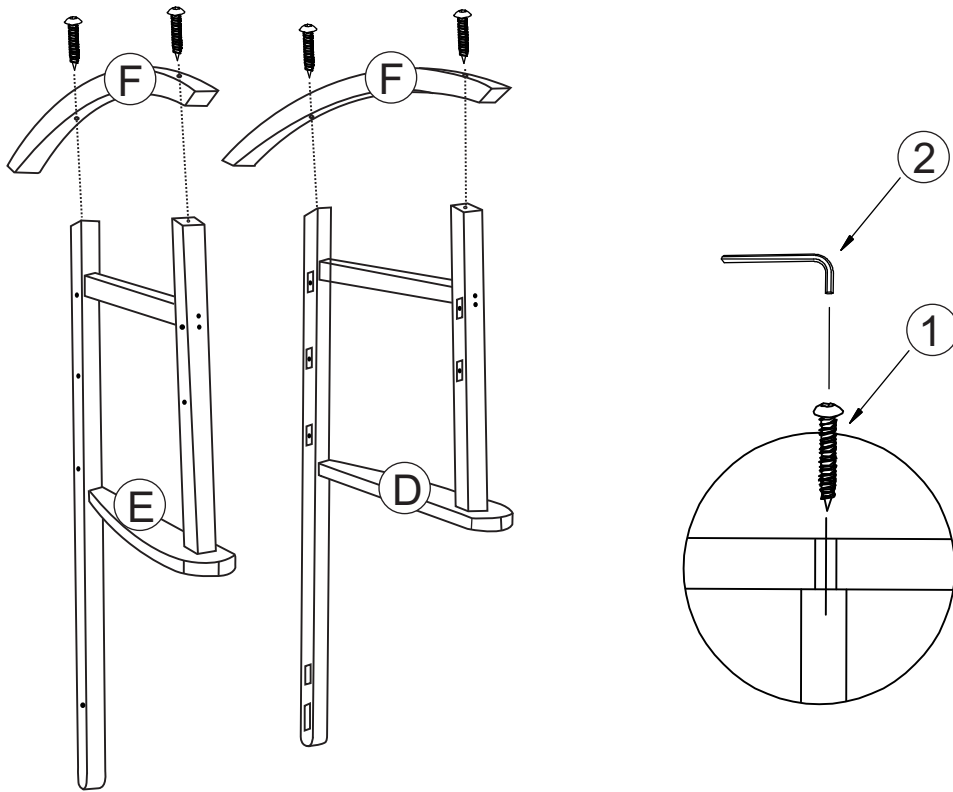
Safety Precautions

- Avoid Using strong powertools to help prevent wood from cracking when assembly

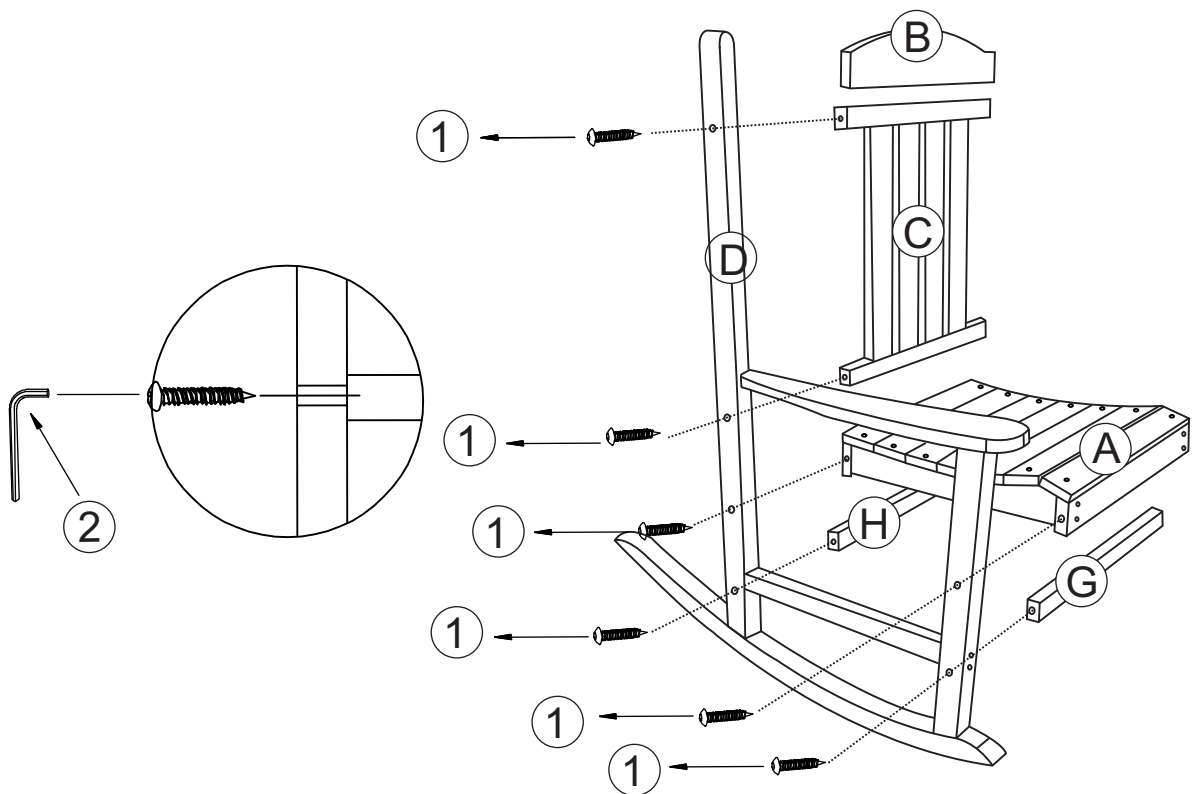
A		1pc	1	 M6.3X60	16pcs
B		1pc	2	 5# 50X100	1pc
C		1pc			
D		1pc			
E		1pc			
F		2pcs			
G		1pc			
H		1pc			



STEP:1



STEP:2



STEP:3

