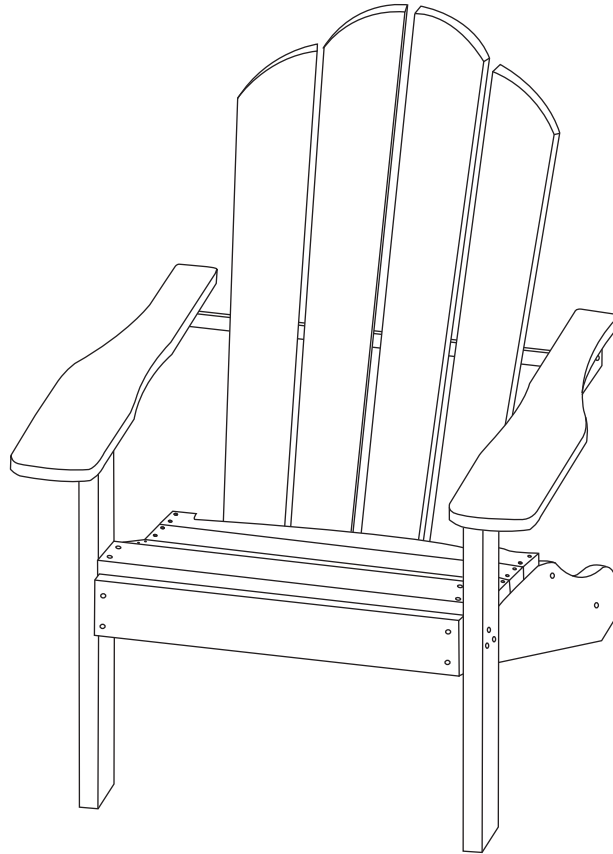


ADIRONDACK CHILDREN'S CHAIR


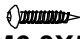








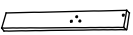

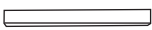


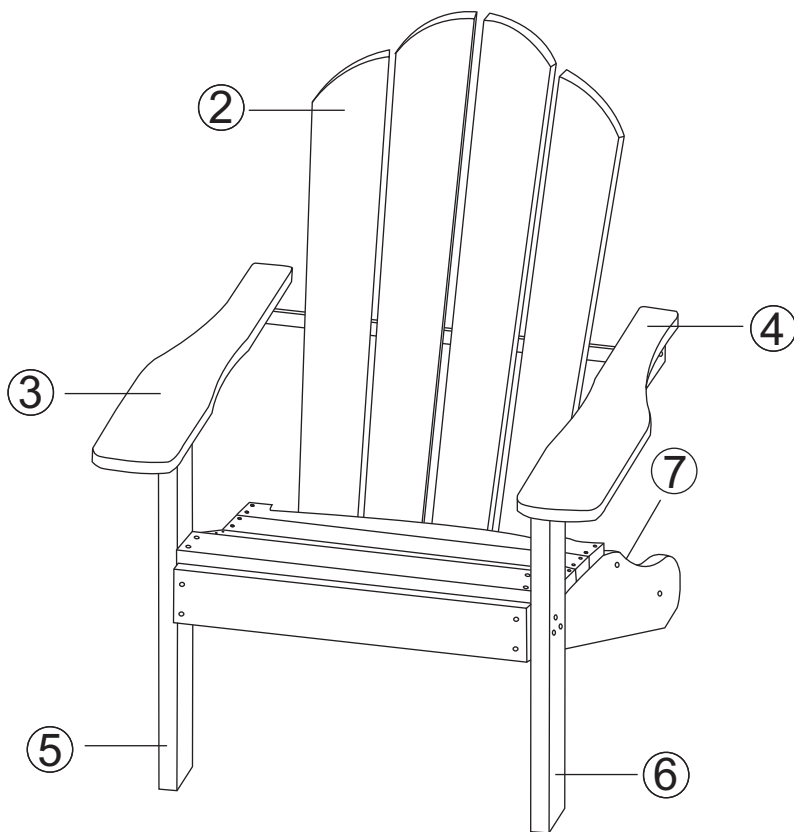
Assembly Consideration

- Do not overtighten screws(Insert All screws before tighten screws)
- Follow Assembly Instructions Step by Step
- Do not discard original packaging if your received items damaged or with missing parts
- Count all Hardware parts before starting assembly
- Assemble items in a clear area and away from clutter to avoid misplacing assembly items

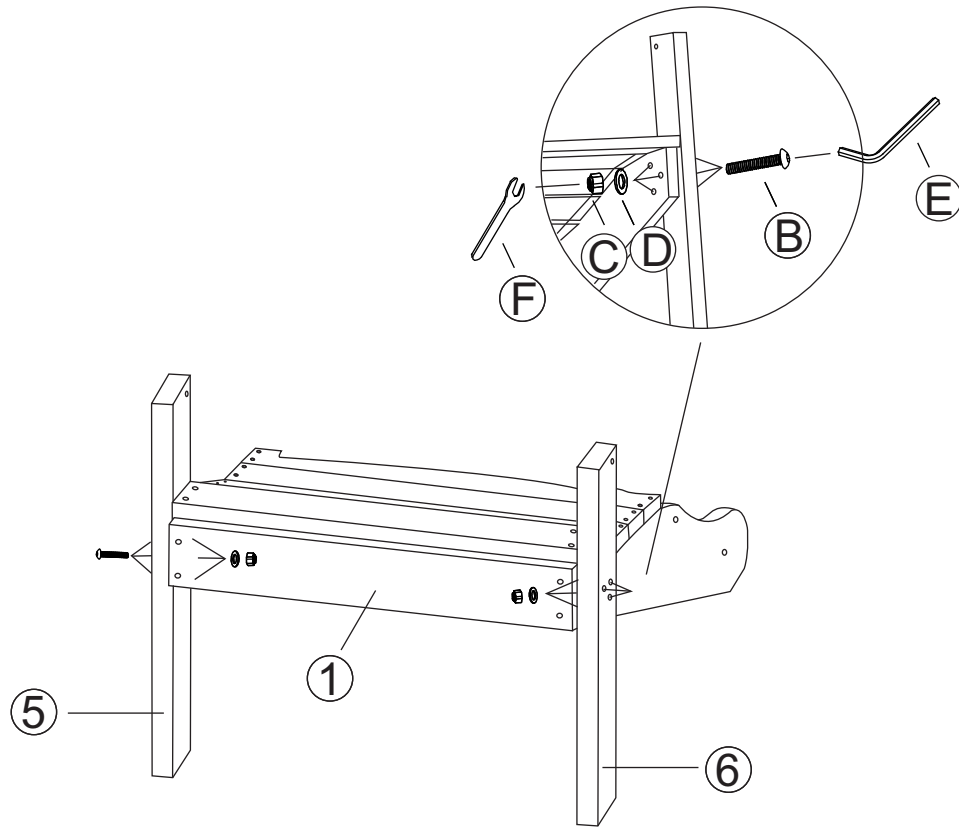
Safety Precautions

- Avoid Using strong powertools to help prevent wood from cracking when assembly

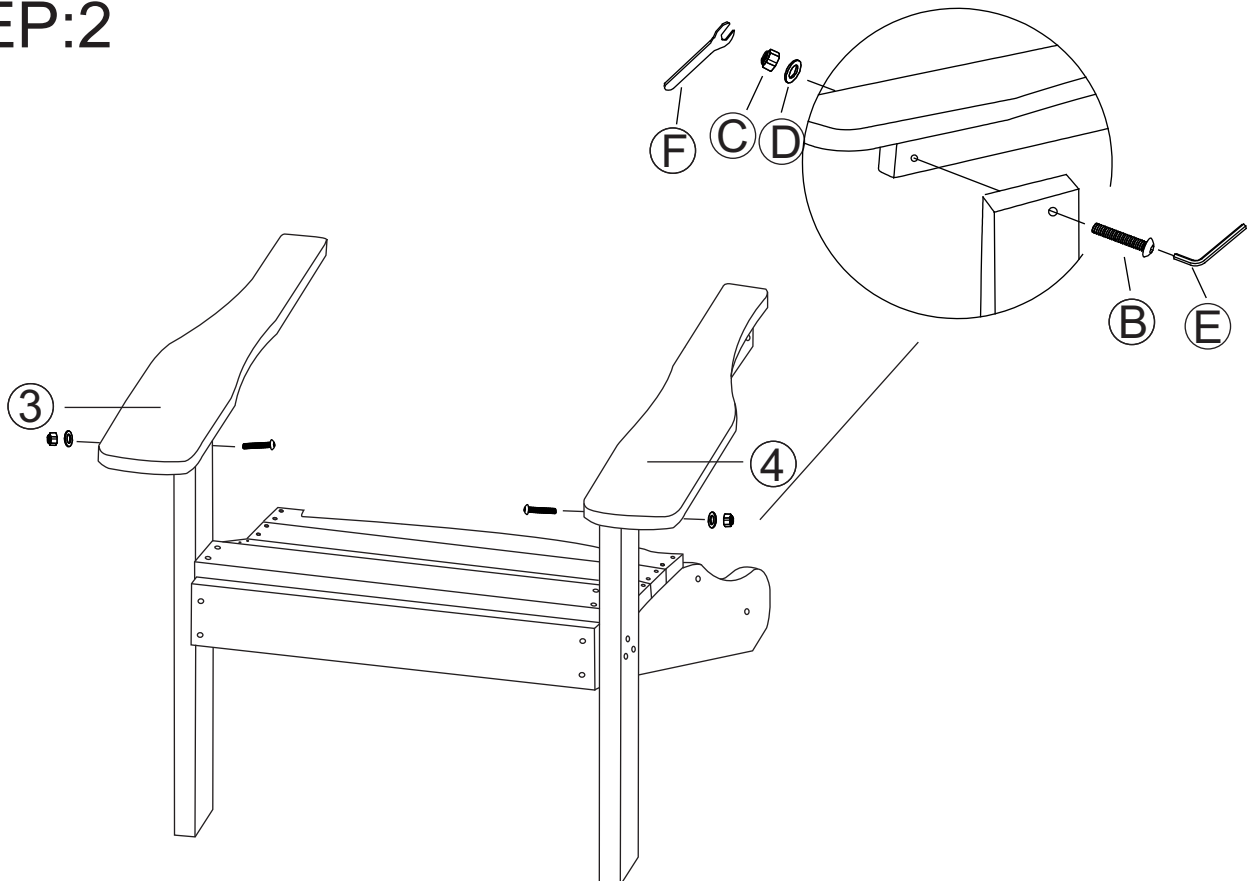
1		1pc	A	 M6.3X50	6pcs
2		1pc	B	 M6X50	8pcs
3		1pc	C	 M6	8pcs
4		1pc	D		8pcs
5		1pc	E		1pc
6		1pc	F		1pc
7		1pc			



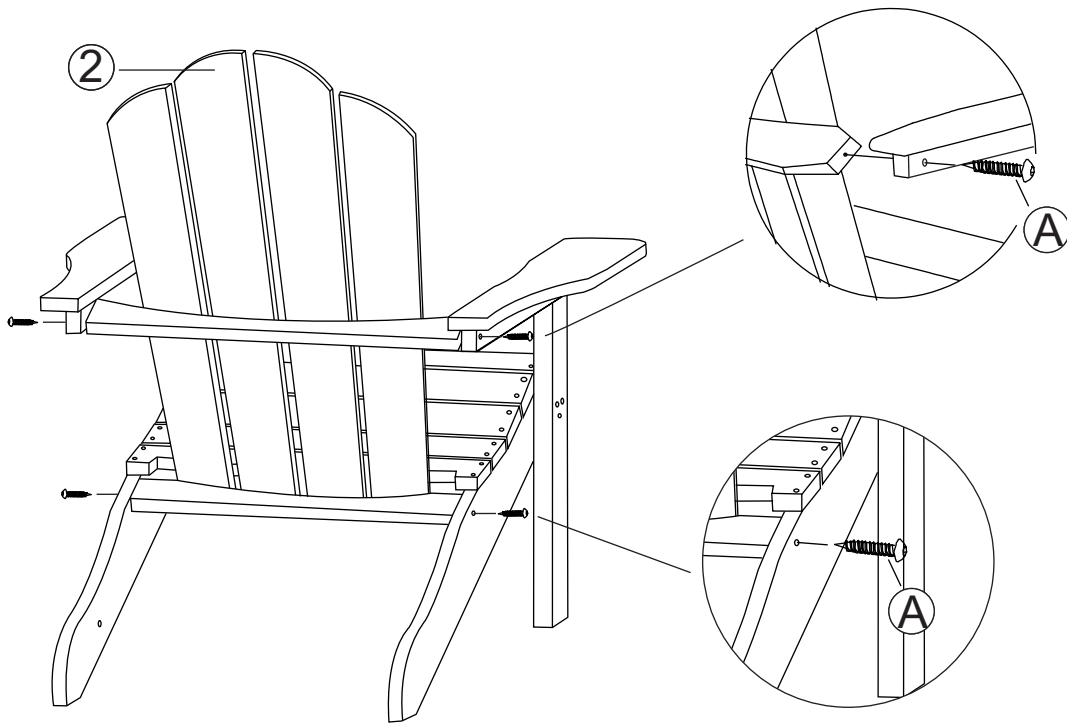
STEP:1



STEP:2



STEP:3



STEP:

