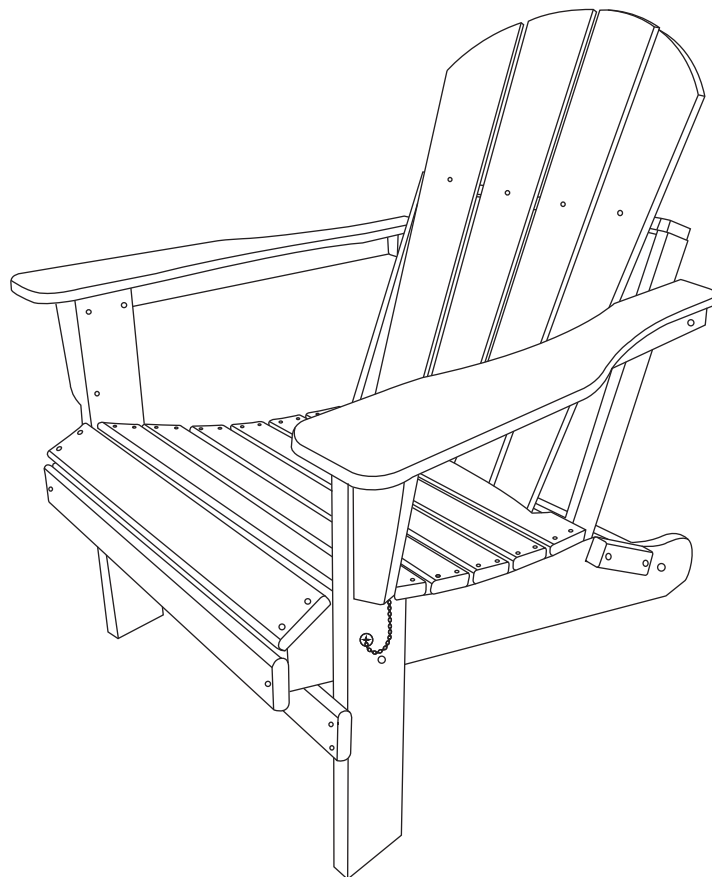


OUTDOOR FOLDING POLY ADIRONDACK CHAIR



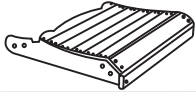




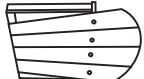



Assembly Consideration





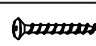





- Do not overtighten screws(Insert All screws before tighten screws)
- Follow Assembly Instructions Step by Step
- Do not discard original packaging if your received items damaged or with missing parts
- Count all Hardware parts before starting assembly
- Assemble items in a clear area and away from clutter to avoid misplacing assembly items

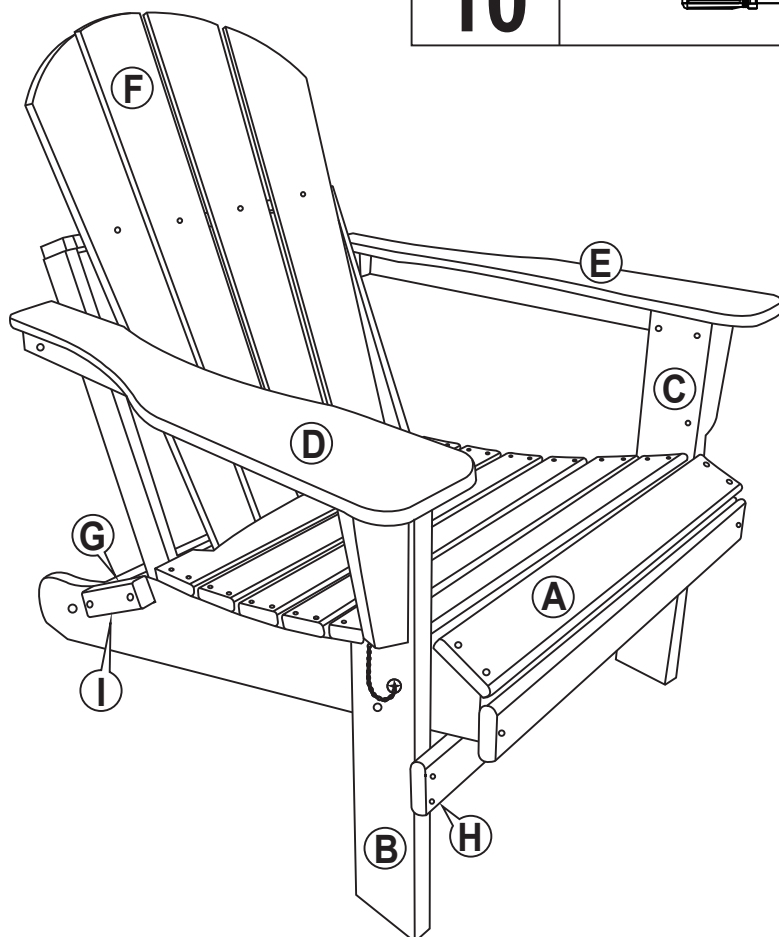
Safety Precautions

- Be very careful when folding chair to avoid smashing your hands or fingers
- Avoid Using strong power tools to help prevent wood from cracking when assembly

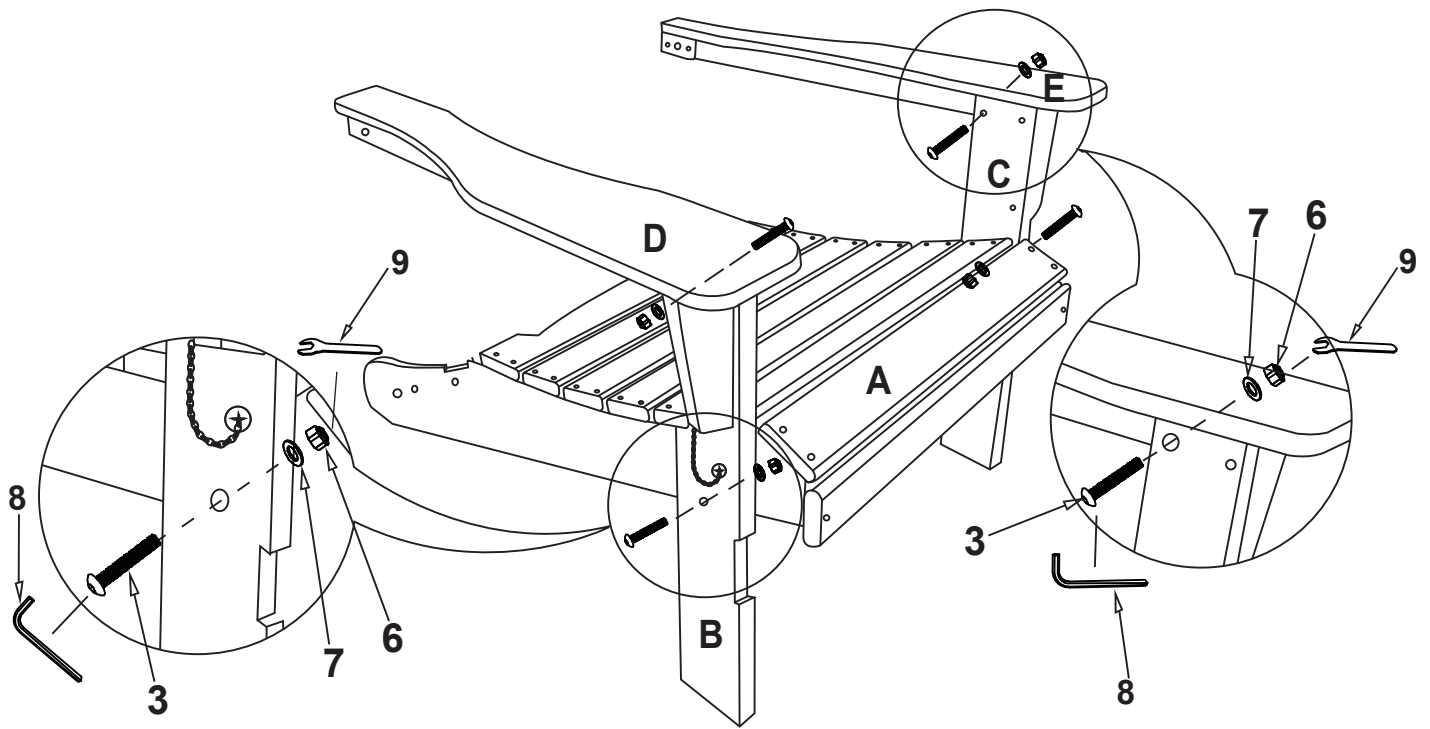
Assembly Instructions

A		1pc
B		1pc
C		1pc
D		1pc
E		1pc
F		1pc
G		1pc
H		1pc
I		2pcs

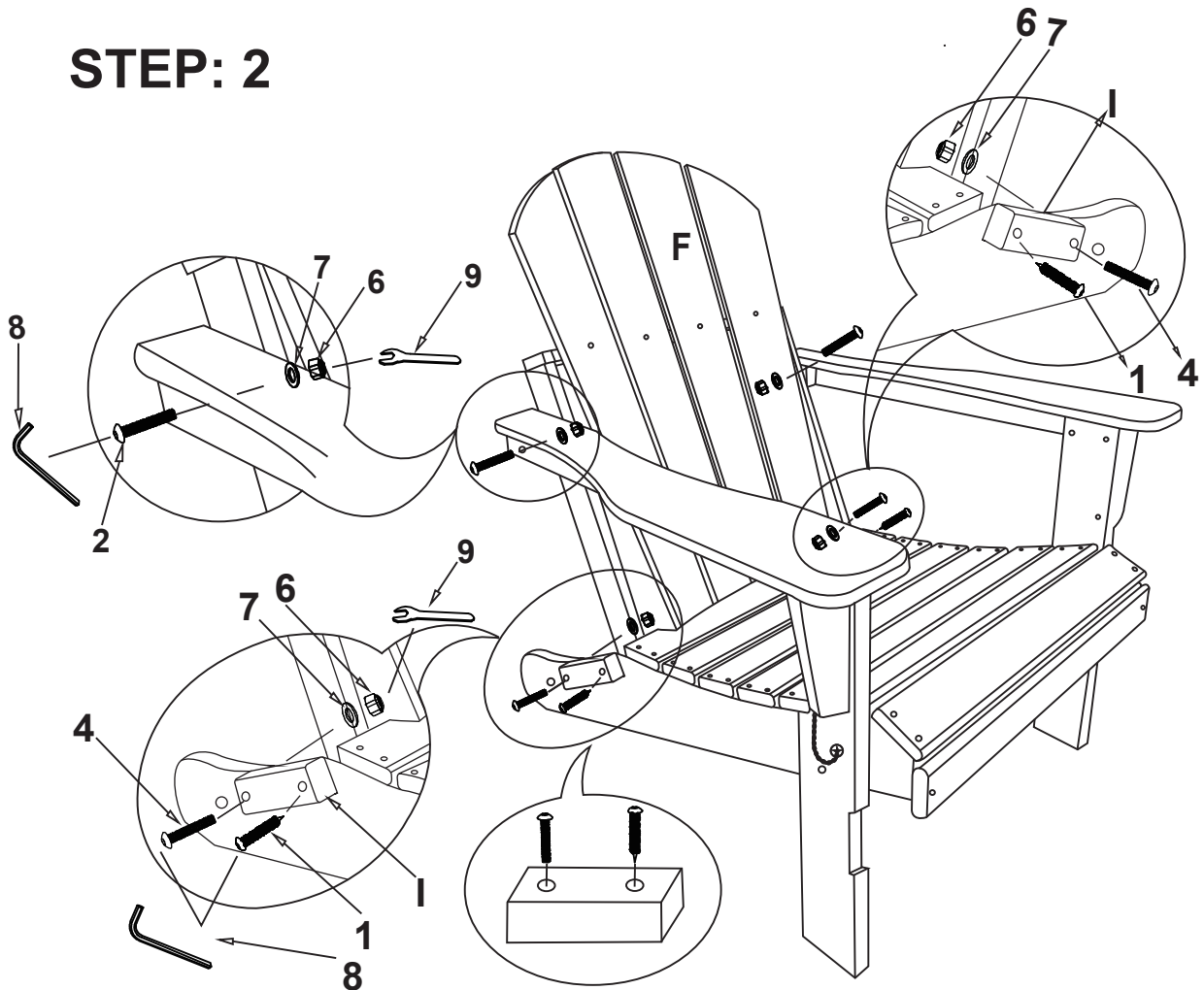
1	 M6.3X50	4pcs
2	 M6X80	2pcs
3	 M6X60	4pcs
4	 M6X50	2pcs
5	 M4.2X40	4pcs
6	 M6	8pcs
7		8pcs
8		1pc
9		1pc
10		1pc



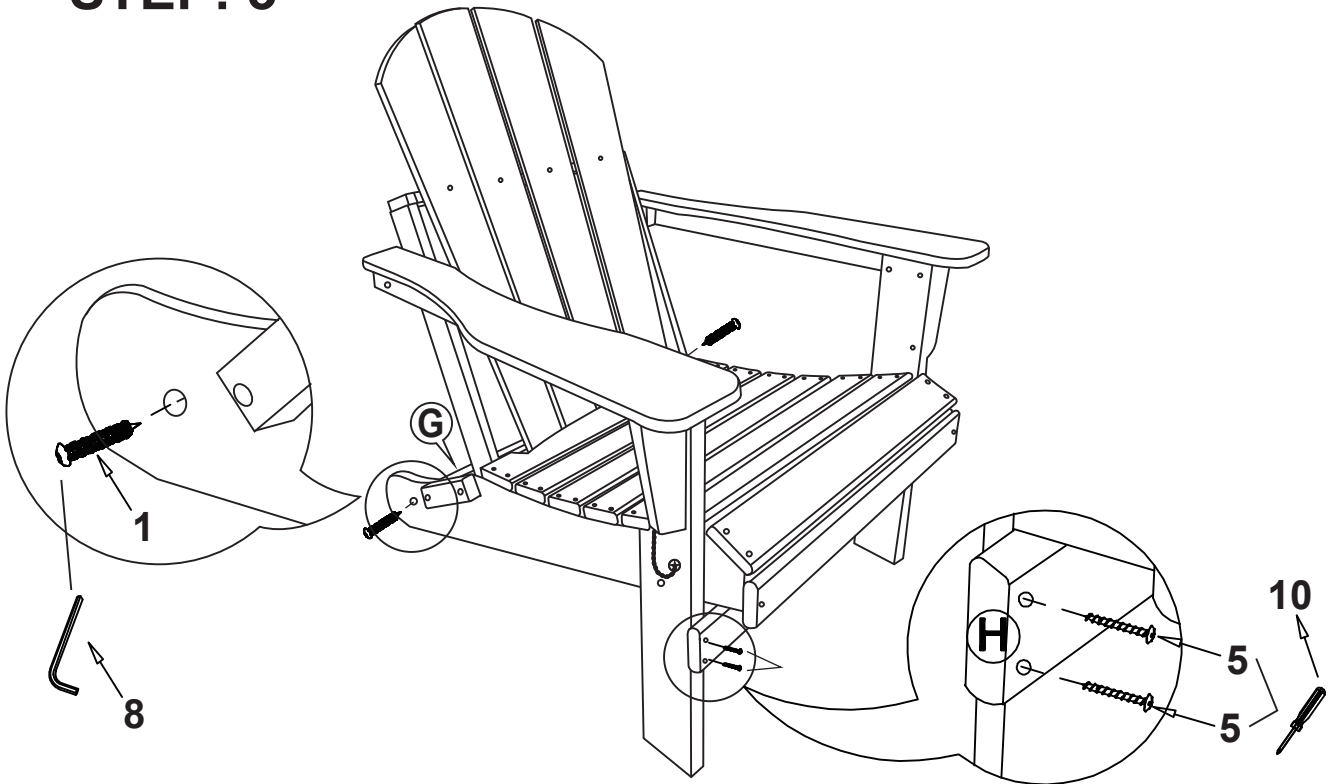
STEP: 1



STEP: 2



STEP: 3



STEP: 4

